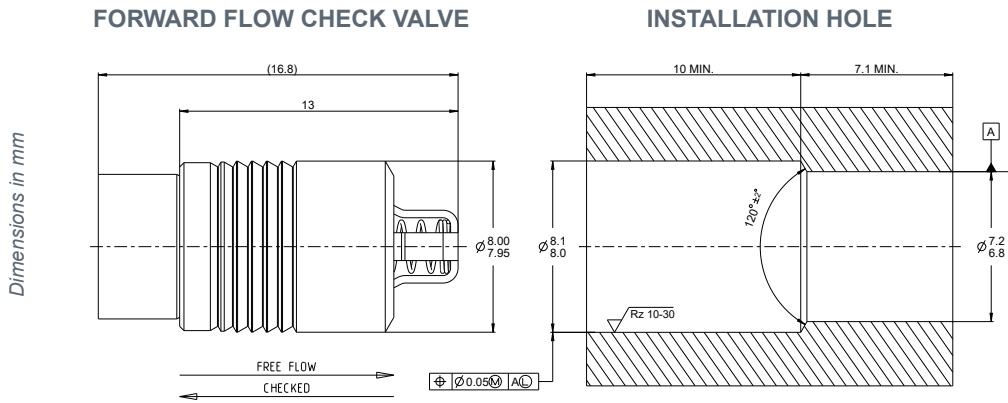
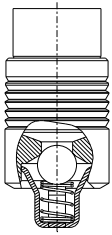


KOENIG CHECK VALVE®

Series BF 8.0mm Forward



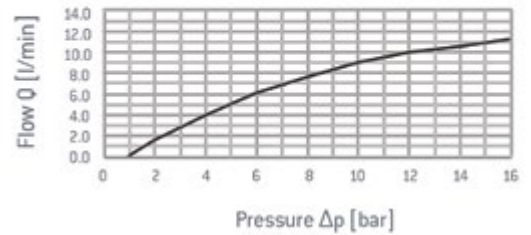
CHECK VALVE FORWARD FLOW - UNSCREENED



Part Number	Cracking Pressure (bar)
BF660080024000	0.00 (no spring)
BF660080024014	0.14 (± 0.05)
BF660080024040	0.40 (± 0.30)
BF660080024100	1.00 (± 0.30)

CHECK VALVE FLOW CURVE - UNSCREENED

BF660080024100; T=50°C; Hydraulic Oil HLP46



PERFORMANCE

Max. Installation Force	8000 N
Max. Working Pressure in Check Direction	280 bar
Max. Working Pressure in Flow Direction	40 bar
Max. Leakage on Air	20 sccm/min. @ 1.72 bar
Max. Leakage on Hydraulic Fluid (HLP46)	1 drop / min.
Cycle Test on Hydraulic Fluid (HLP46)	1 Mio. Cycles, 5 Hz, 6 bar, 50°C
Material of Test Body	EN-GJS-600-3

MATERIALS

Sleeve	1.4305 / AISI 303
Pin	1.4542 / AISI 630
Cage	1.4310 / AISI 301
Spring	1.4310 / AISI 301
Ball	1.3541 / AISI 420C

SETTING TOOL

Check Valve Forward Flow – Unscreened	ST – 080 – 0380
---------------------------------------	-----------------